

SINGLE FAMILY RESIDENTIAL STANDBY POWER GENERATOR APPLICATION FOR LESS THAN

38KW (50HP) 240 VOLTS MAXIMUM LOAD SIDE CONNECTION ONLY

WITH A SINGLE LINE AND SITE PLAN SHOWING EQUIPMENT LOCATION IS REQUIRED

1. Generator manufacturer with installation instructions included with plan: yes no

2. Maximum KW _____

3. Maximum generator OCPD size _____

4. Maximum voltage _____

5. Transfer equipment type: automatic manual other

6. Transfer equipment size in amps _____

6. Existing Electrical Service size _____

7. Backup loads sub panel size _____

8. Maximum KW of backup load served _____

9. Generator clearance from: electrical equipment _____ gas meter(s) _____ doors and windows _____

10. Maximum sound db rating _____

11. FUEL TYPE: natural gas (include gas pipe size) propane LP

12. If propane or LP provide site storage volume: propane _____ gals. LP _____ gals.

13. Does this site have solar PV and or ESS battery system: yes no

SITE ADDRESS: _____

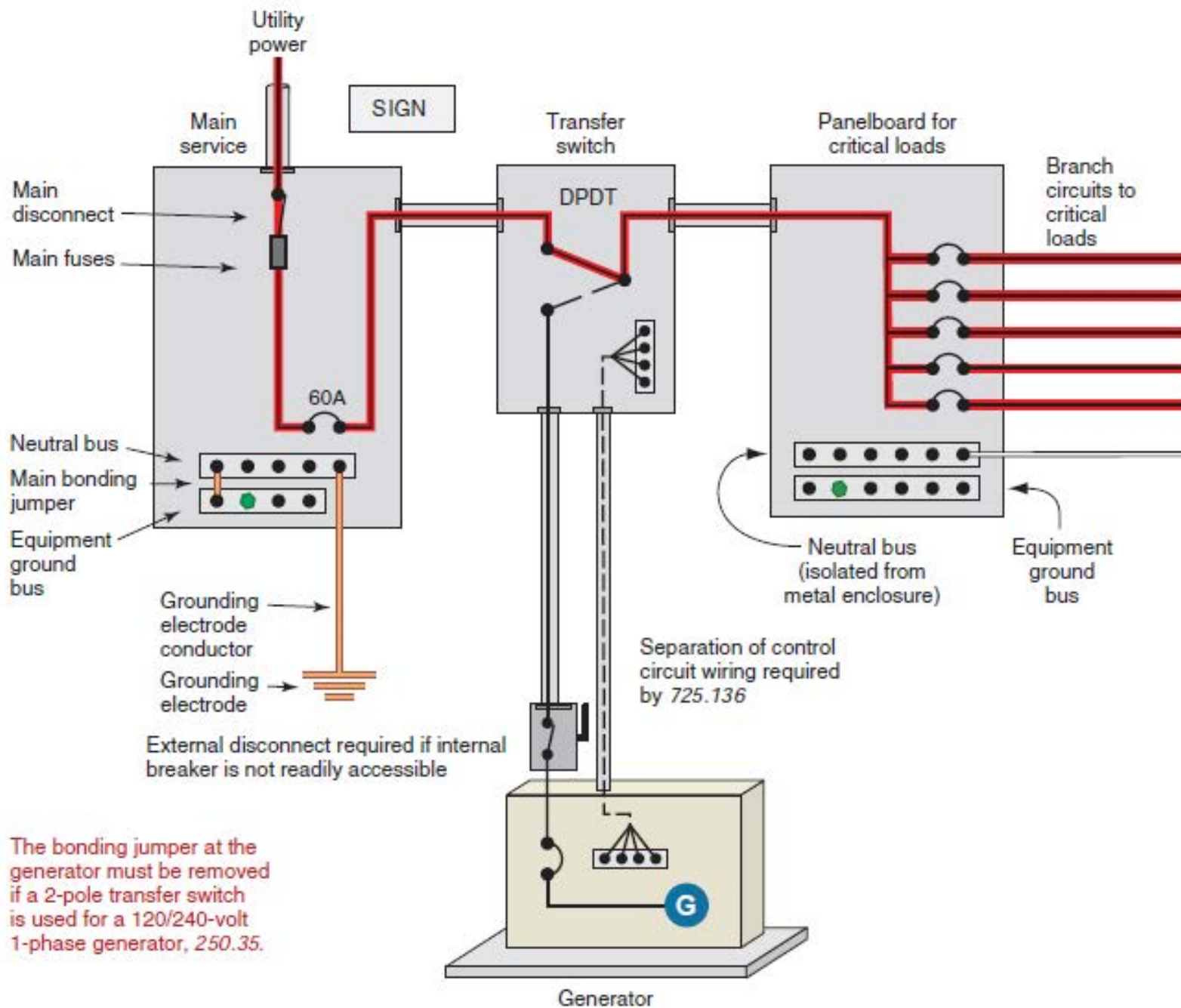
C-10 CONTRACTOR NAME: (print) _____ Date _____

CONTRACTOR LICENSE NUMBER _____ EXPIRATION _____

CONTRACTOR SIGNATURE _____

HOA LETTER OF PERMISSION PROVIDED (if applicable) yes no NA

PLANNING APPROVAL _____ DATE _____ B&S APPROVAL _____ DATE _____



The bonding jumper at the generator must be removed if a 2-pole transfer switch is used for a 120/240-volt 1-phase generator, 250.35.