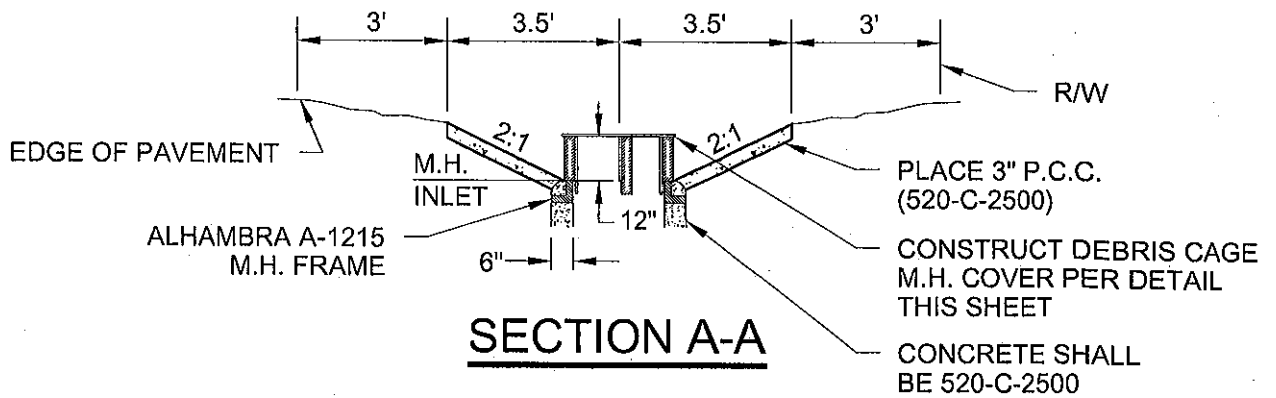
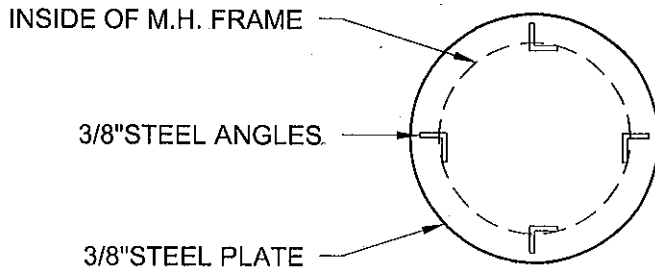


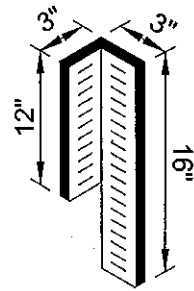
DEBRIS CAGE M.H.



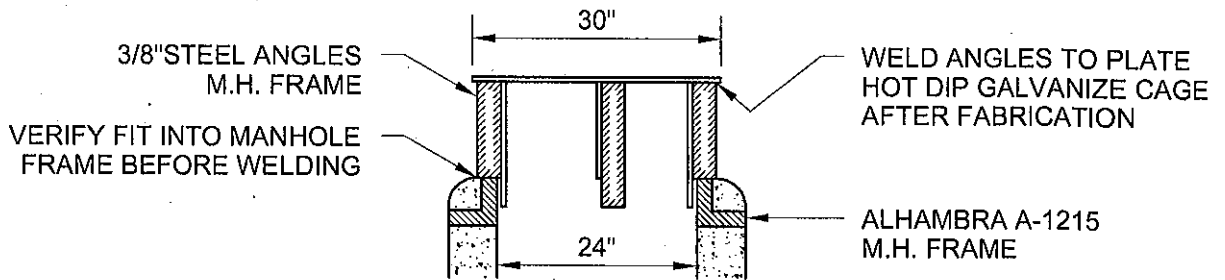
SECTION A-A



PLAN



DETAIL "A"



SECTION

CITY OF SAN BUENAVENTURA

PUBLIC WORKS DEPARTMENT
ENGINEERING DIVISION

FIELD DEBRIS CAGE

STD. DET. NO.
309

APPROVED BY: *J. H. Bennett*
PRINCIPAL CIVIL ENGINEER

APPROVED BY: *R. R. O.*
CITY ENGINEER R.C.E. 37064

DATE *4-8-14*

SHEET
1 of 1