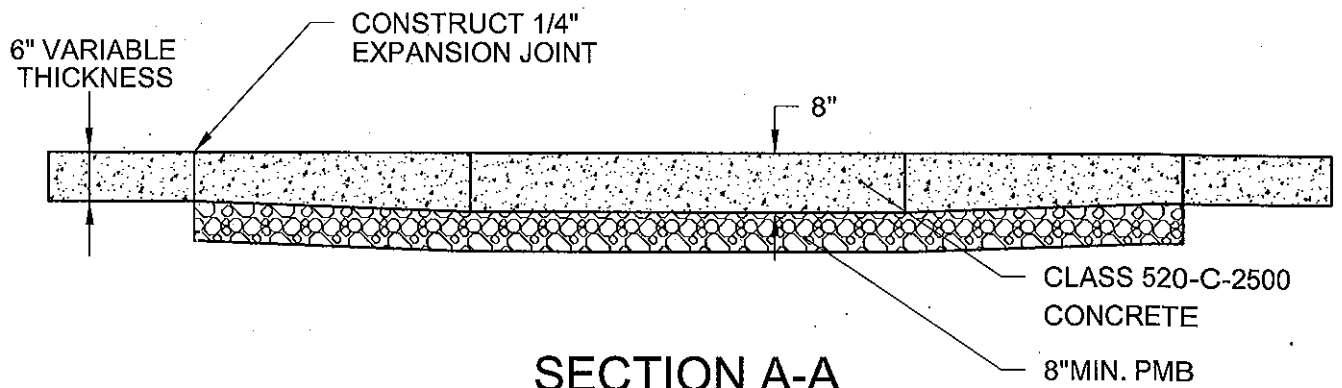
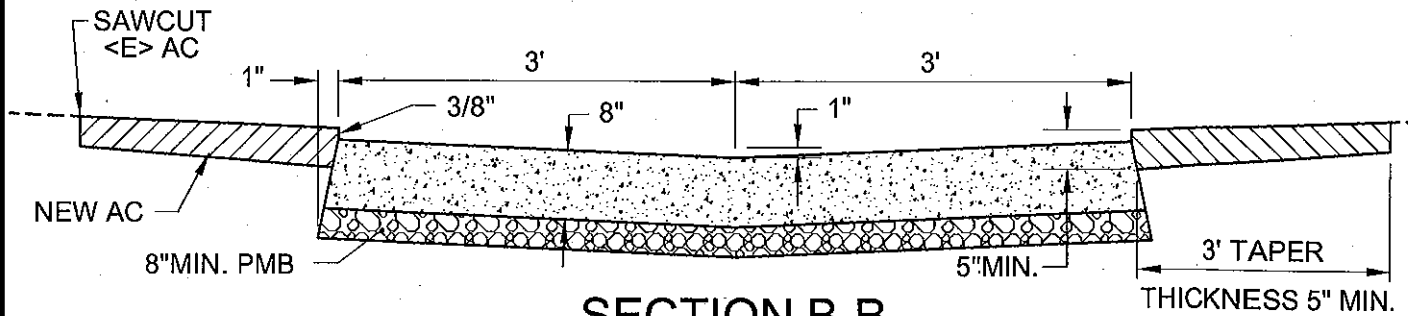


PLAN-CROSS GUTTER



SECTION A-A



SECTION B-B

CITY OF SAN BUENAVENTURA

PUBLIC WORKS DEPARTMENT
ENGINEERING DIVISION

CROSS GUTTER

STD. DET. NO.
101

APPROVED BY: *J. M. D...*
PRINCIPAL CIVIL ENGINEER

APPROVED BY: *R. P. R...*
CITY ENGINEER R.C.E. 37064

DATE **2-25-14**

SHEET
1 of 2

NOTES:

1. ALL WORK SHALL BE DONE IN ACCORDANCE WITH SUBSECTION 303-5 OF STANDARD SPECIFICATIONS FOR PUBLIC WORKS CONSTRUCTION EXCEPT AS OTHERWISE NOTED.
2. BASE MATERIAL, 8" THICK SHALL BE PLACED UNDER ALL CONCRETE. COMPACT TO 95% REL. DENSITY.
3. DOWELS SHALL CONSIST OF NO.4 REBAR ASTM A615 GRADE 40, 24 INCHES LONG AND SET 18 INCHES CENTER TO CENTER EXTENDING EQUAL DISTANCES INTO THE ADJOINING SLABS. A DOWEL CAP MUST FIT SNUGLY OVER THE DOWEL ON ONE END TO PREVENT ADHESION TO THE CONCRETE AND TO PERMIT HORIZONTAL MOVEMENT OF THE BAR.
4. PARKING LOT CROSS GUTTER SHALL BE 3' WIDE, MAINTAIN 1" FALL TO CENTER LINE.
5. CROSS GUTTERS SHALL NOT BE USED UNLESS OTHERWISE APPROVED BY THE CITY ENGINEER.
6. FOR JOINT SPACING SEE STANDARD DETAIL No. 102.

CITY OF SAN BUENAVENTURA

PUBLIC WORKS DEPARTMENT
ENGINEERING DIVISION

CROSS GUTTER

STD. DET. NO.

101

APPROVED BY: J. Mc Dermott
PRINCIPAL CIVIL ENGINEER

APPROVED BY: R. R. R.
CITY ENGINEER R.C.E. 37064

DATE 2-25-14

SHEET
2 of 2