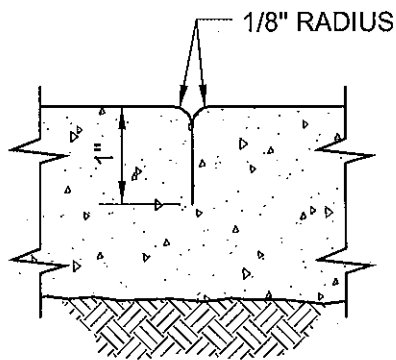


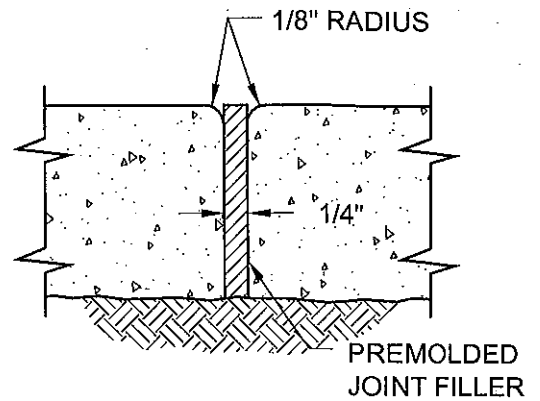
SEE NOTE No. 7
ON SHEET 2 OF 2

CURB AND
GUTTER

SCORING LINE
20'
10' ALONG CURVES
60'



WEAKENED-PLANE JOINT



EXPANSION JOINT

CITY OF SAN BUENAVENTURA

PUBLIC WORKS DEPARTMENT
ENGINEERING DIVISION

SIDEWALK DETAILS

STD. DET. NO.

102

APPROVED BY: J. M. D. ...
PRINCIPAL CIVIL ENGINEER

APPROVED BY: R. P. ...
CITY ENGINEER R.C.E. 37064

DATE 2-25-14

SHEET
1 of 2

SCORE LINE SCHEDULE

W	L
4'	4'
5'	5'
6'	5'
8'	4'
10'	5'

IF "W" EXCEEDS 6', ADD ADDITIONAL SCORE LINE AT 1/2 W.

NOTES

1. ALL WORK SHALL BE DONE IN ACCORDANCE WITH STANDARD SPECIFICATIONS FOR PUBLIC WORKS CONSTRUCTION EXCEPT AS OTHERWISE NOTED.
2. EXPANSION JOINTS, 1/4 INCH THICK, SHALL BE PLACED AT THE B.C. AND E.C. OF ALL RETURNS, AT THE OUTER EDGES OF DRIVEWAYS INCLUDING "X" DISTANCES, AND AT UNIFORM INTERVALS AS SHOWN FOR ALL CONCRETE FLAT WORK.
3. WEAKENED PLANE JOINTS SHALL BE CONSTRUCTED AT EQUAL SPACING BETWEEN EXPANSION JOINTS IN WALKS AND GUTTERS.
4. SCORING LINES, 1/4 INCH DEEP, SHALL BE CONSTRUCTED IN CURBS AT LOCATIONS OF WEAKENED PLANE JOINTS IN THE GUTTER AND IN THE WALK AS SHOWN.
5. JOINTS IN THE CURB AND GUTTER SHALL ALIGN WITH CORRESPONDING JOINTS IN THE WALK.
6. LONGITUDINAL SCORING LINES WILL BE REQUIRED IN WALKS WIDER THAN 6 FEET.
7. WEAKENED PLANE JOINTS IN SIDEWALK SHALL BE CONSTRUCTED WITH T-SHAPED PLASTIC ZIPPER STRIPS. JOINT SHALL BE TOOLED.
8. SIDEWALK SHALL BE PLACED ON 4" OF FILL WITH SAND EQUIVALENT 20 OR HIGHER COMPACTED TO 90% MINIMUM.
9. FOR THE INSTALLATION OF ABOVE AND BELOW GROUND UTILITIES IN NEW OR EXISTING SIDEWALKS, THE SIDEWALK SHALL BE CONSTRUCTED FULL WIDTH AND TO THE NEAREST COLD JOINT OR PERPENDICULAR SCORE MARK.
10. REPAIR ANY DAMAGED EXISTING SIDEWALK ADJACENT TO NEW SIDEWALK.

CITY OF SAN BUENAVENTURA

PUBLIC WORKS DEPARTMENT
ENGINEERING DIVISION

SIDEWALK DETAILS

STD. DET. NO.

102

APPROVED BY: J. M. DeLuca
PRINCIPAL CIVIL ENGINEER

APPROVED BY: [Signature]
CITY ENGINEER R.C.E. 37064

DATE 2-25-14

SHEET
2 of 2