

A	52'	56'
B	18'	20'
C	R=32'	R=35'
D	R=36'	R=40'
E	R=72'	R=80'
F	R=44'	R=48'

CITY OF SAN BUENAVENTURA

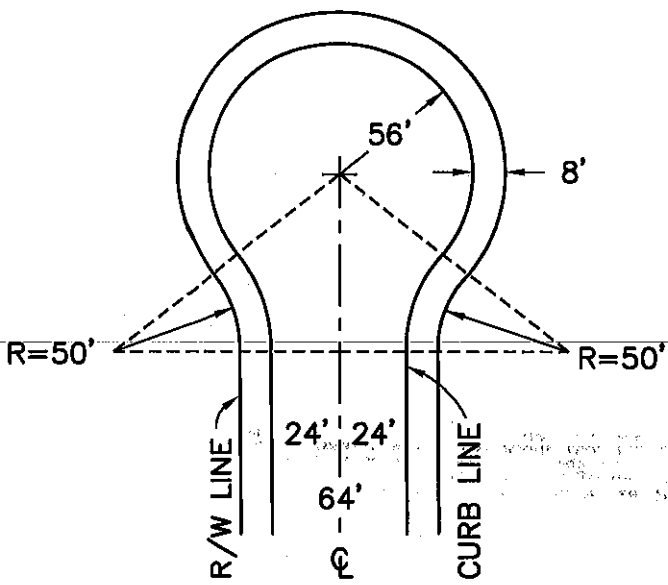
PUBLIC WORKS DEPARTMENT
ENGINEERING DIVISION

DESIGNED BY: R.D.
 DRAWN BY: D.T.
 CHECKED BY: J.S.
 APPROVED BY: *[Signature]*
 TRANSPORTATION ENGINEER

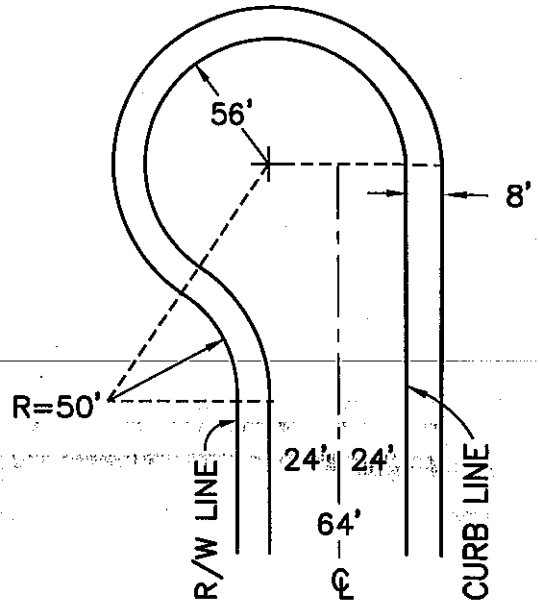
RESIDENTIAL CUL-DE-SACS
& KNUCKLE INTERSECTION

APPROVED BY *[Signature]* DATE 3-7-01
 CITY ENGINEER R.C.E. 37064

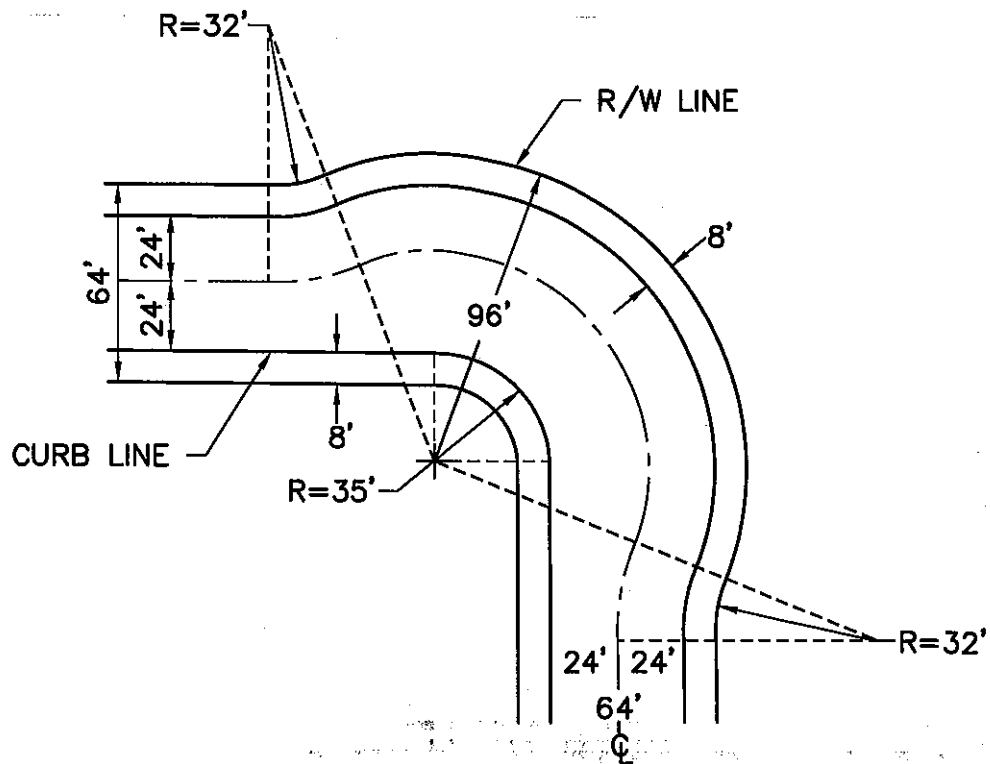
STD. DET. NO.
106
SHEET
1 of 2



CUL-DE-SAC



ASYMMETRICAL CUL-DE-SAC



KNUCKLE INTERSECTION

CITY OF SAN BUENAVENTURA

PUBLIC WORKS DEPARTMENT
ENGINEERING DIVISION

DESIGNED BY: R.D.
 DRAWN BY: H.O./T.N.
 CHECKED BY: J.S.
 APPROVED BY: [Signature]
 TRANSPORTATION ENGINEER

INDUSTRIAL CUL-DE-SACS
& KNUCKLE INTERSECTION

APPROVED BY [Signature] DATE 3-7-01
 CITY ENGINEER R.C.E. 37064

STD. DET. NO.

106

SHEET
2 of 2