

**NOTES:**

- A. STYLE #850F - LONG, 2" SQ., BOLT THRU.
- B. STYLE #808F BOLT THRU 90° CROSSPIECE.
- C. STYLE #730F - 9" WITH SPACER 9" L x .75" W x .080 THK WITH (2) 1/2" HOLES, 8" ON CENTER.
- D. 2" SQUARE POST, 14 GA. GALVANIZED STEEL
- E. DRILL 3/8" DIA. AS SHOWN (INTERIOR HOLES)
- F. DRILL 7/16" DIA. AS SHOWN (EXTERIOR HOLES)

\*STYLE # REFER TO TRAFFIC SAFETY, INC. CATALOG  
 \*ALL FASTENERS TO BE 5/16-18 x 3/4L, SOCKET-PIN-HEAD BUTTON HD VANDAL PROOF SS SCREWS.  
 (2)3/8"- 16 X 1"L SS BOLT & KEPS NUTS REQUIRED FOR ITEM C.

**SIGN MATERIAL:**

.125" THICK ALUMINUM (FLAT) BLADE, 5052 H38 ALLOY. COVERED WITH DIAMOND GRADE/CUBED SHEETING, DOUBLE FACED. ENTIRE SIGN TO BE COATED WITH 1160A OVERLAY FILM.

**COLOR:**

BACKGROUND TO BE 3M HIGHWAY BLUE. LETTERING & EDGES TO BE 3990 WHITE.

**FONT:**

FEDERAL HIGHWAY TYPE 'C', 5" LETTER HEIGHT, UPPER & 3.75" LOWER CASE, TYPE 'B' FONT MAY BE USED TO FIT WITHIN GIVEN LIMITS. BLOCK NUMBERS 2" HEIGHT. ST, RD, AVE 2.0" HEIGHT UPPER CASE. ARROW 1.5" HEIGHT BY 2.5" WIDE, FACING OPPOSITE DIRECTION EACH SIDE.

**Note: Private Street name signs shall be a different color and font.**

**CITY OF SAN BUENAVENTURA**

PUBLIC WORKS DEPARTMENT  
ENGINEERING DIVISION

**PUBLIC STREET NAME SIGN**

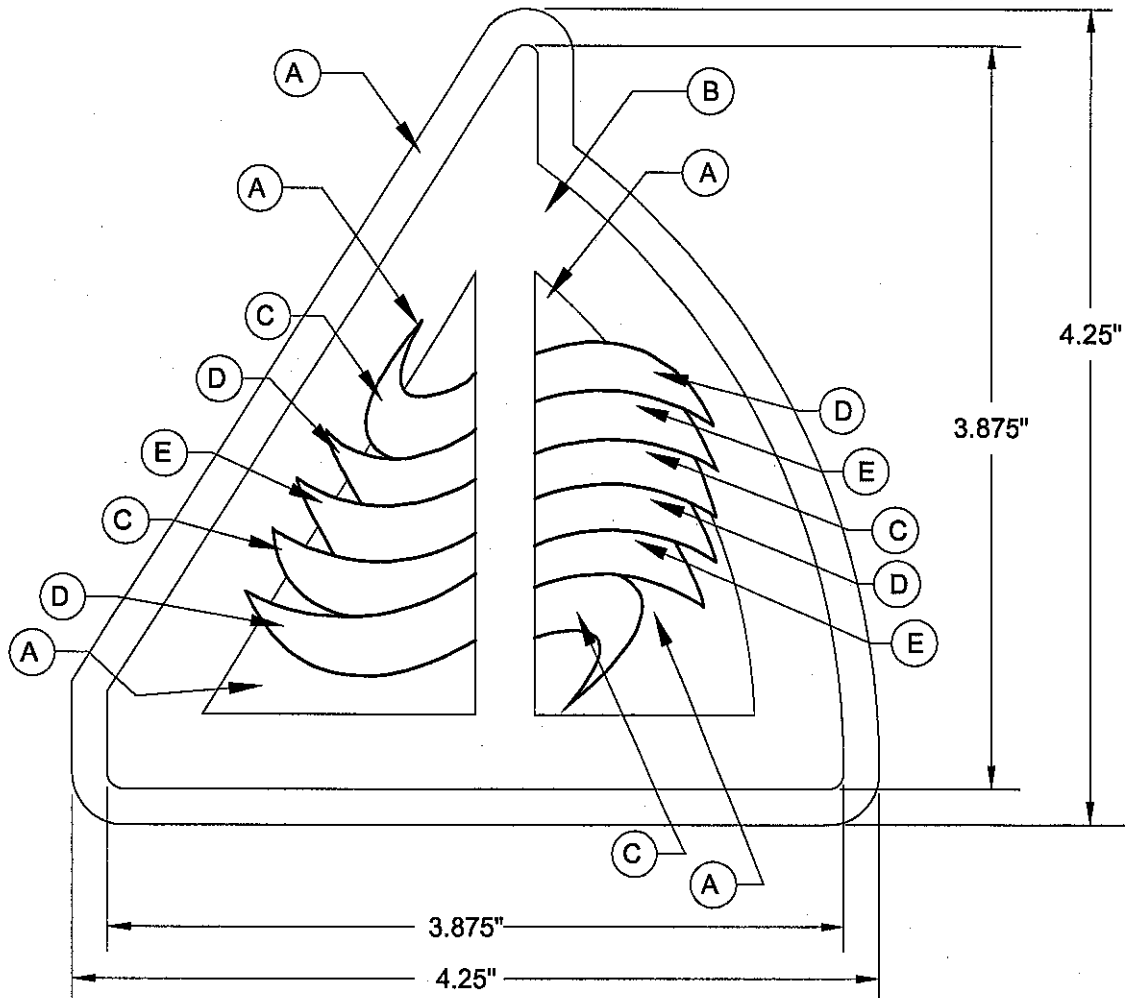
STD. DET. NO.  
**109**

APPROVED BY: CITY TRANSPORTATION MANAGER

APPROVED BY: CITY ENGINEER R.C.E. 80986

DATE 6/14/2017

SHEET  
1 of 3



SCALE= 1:1

- (A) 3990 WHITE
- (B) 883i BLUE
- (C) PANTONE RHODAMINE RED CVU
- (D) PANTONE 109 CVU (YELLOW)
- (E) PANTONE 326 (GREEN)

THE LOGO CAN BE INCORPORATED INTO THE COMPLETE SIGN OR BE AN ADD-ON PATCH. THE MATERIAL FOR THE PATCH IS HIGH INTENSITY.

LOGO IS AVAILABLE IN VARIOUS ELECTRONIC FILE TYPES. CONTACT ENGINEERING AT 654-7767.

CITY OF SAN BUENAVENTURA

PUBLIC WORKS DEPARTMENT  
ENGINEERING DIVISION

STREET NAME SIGN  
LOGO SPECIFICATIONS

STD. DET. NO

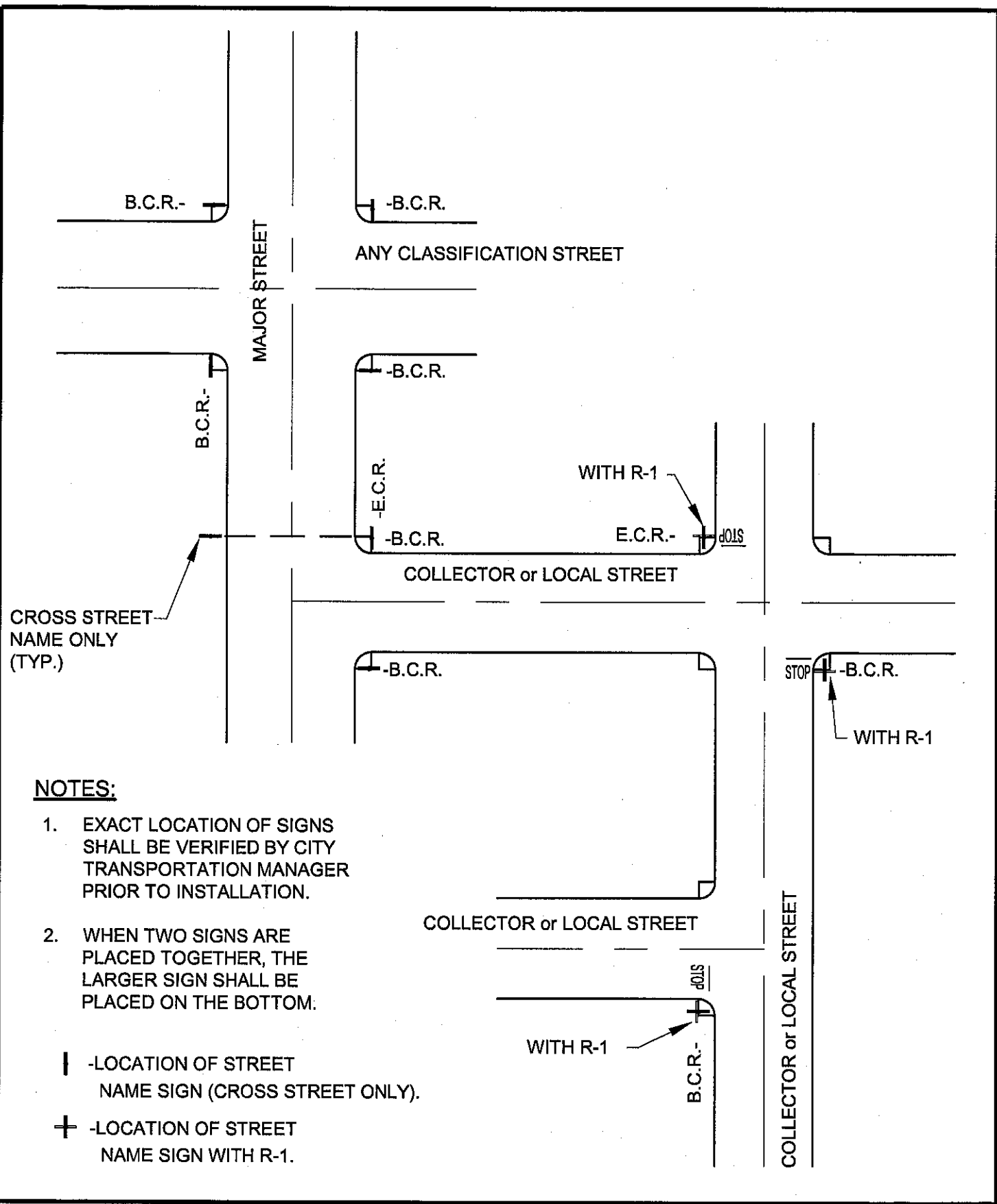
109

APPROVED BY:   
CITY TRANSPORTATION MANAGER

APPROVED BY:   
CITY ENGINEER R.C.E. 80986

DATE 6/19/2017

SHEET  
2 of 3



**NOTES:**

1. EXACT LOCATION OF SIGNS SHALL BE VERIFIED BY CITY TRANSPORTATION MANAGER PRIOR TO INSTALLATION.
2. WHEN TWO SIGNS ARE PLACED TOGETHER, THE LARGER SIGN SHALL BE PLACED ON THE BOTTOM.

- | -LOCATION OF STREET NAME SIGN (CROSS STREET ONLY).
- + -LOCATION OF STREET NAME SIGN WITH R-1.

**CITY OF SAN BUENAVENTURA**

PUBLIC WORKS DEPARTMENT  
ENGINEERING DIVISION

**STREET NAME SIGN LOCATION**

STD. DET. NO.

**109**

APPROVED BY:   
CITY TRANSPORTATION MANAGER

APPROVED BY:   
CITY ENGINEER R.C.E. 80986

DATE 6/14/2017

SHEET  
3 of 3