

NOTE:
SEE CITY STANDARD DETAIL 001 - GENERAL WATER NOTES.

CITY OF SAN BUENAVENTURA

PUBLIC WORKS DEPARTMENT
ENGINEERING DIVISION

WATER SAMPLING STATION

STD. DET. NO.

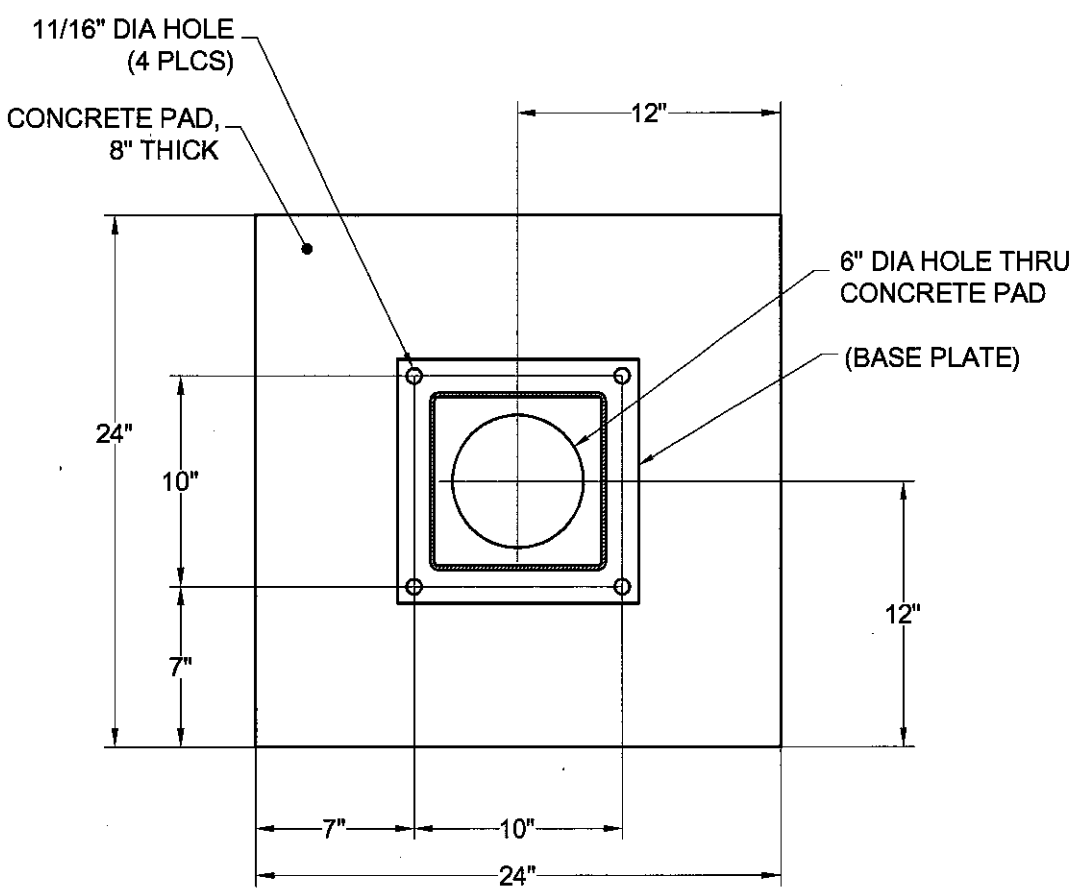
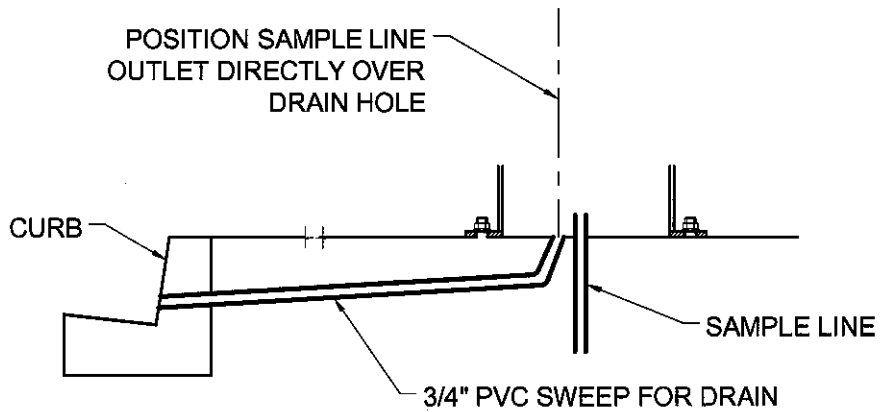
014

APPROVED BY: *[Signature]*
WATER GENERAL MANAGER

APPROVED BY: *[Signature]*
CITY ENGINEER R.C.E. 37064

DATE 7-7-16

SHEET
1 of 2



SECTION "A-A"

CITY OF SAN BUENAVENTURA

PUBLIC WORKS DEPARTMENT
ENGINEERING DIVISION

WATER SAMPLING STATION

STD. DET. NO.
014

APPROVED BY: *[Signature]*
WATER GENERAL MANAGER

APPROVED BY: *[Signature]*
CITY ENGINEER R.C.E. 37064

DATE **7-7-16**

SHEET
2 of 2