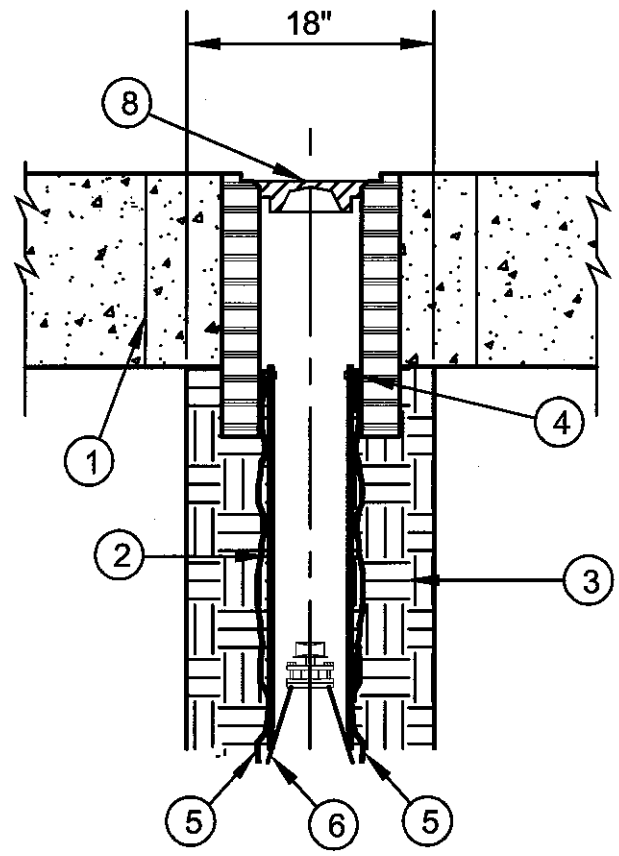
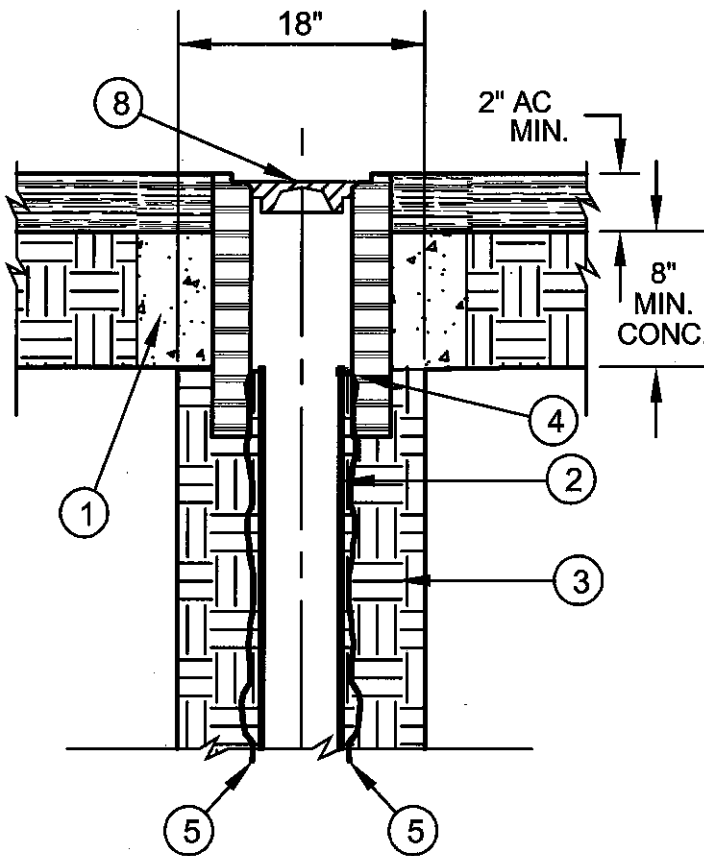


SECTION IN A.C. PAVEMENT

SECTION IN CONCRETE PAVEMENT  
OR IN UNIMPROVED AREAS



NOTE:  
SEE CITY STANDARD DETAIL 001 - GENERAL WATER NOTES.

LEGEND

- ① CONCRETE RING OR CONCRETE PAVEMENT SEE TOP VIEW, SHEET 2/2.
- ② 8" O.D., SDR 35 PIPE DIAMETER (SEE NOTE 7, SHEET 2/2).
- ③ NATIVE BACKFILL AS REQUIRED TO MATCH EXISTING (COMPACT TO 90% RELATIVE COMPACTION).
- ④ 5/16" GALVANIZED HEX. BOLT AND NUT.
- ⑤ 10 GAUGE COATED COPPER LOCATION WIRE TO BE USED WITH NON- METALLIC WATER PIPE. WIRE TO RUN ALONG (OUTSIDE) VALVE STACK THE ENTIRE LENGTH. CONNECT 10 GAUGE WIRE TO 5/16" BOLT ON OUTSIDE OF VALVE STACK
- ⑥ VALVE STACK TO BE ATTACHED TO VALVE WITH PIPE TAPE. 1/2" ° WEEP HOLES ON STACK AT VALVE TO BE PROVIDED.

CITY OF SAN BUENAVENTURA

PUBLIC WORKS DEPARTMENT  
ENGINEERING DIVISION

VALVE BOX ASSEMBLY

STD. DET. NO.

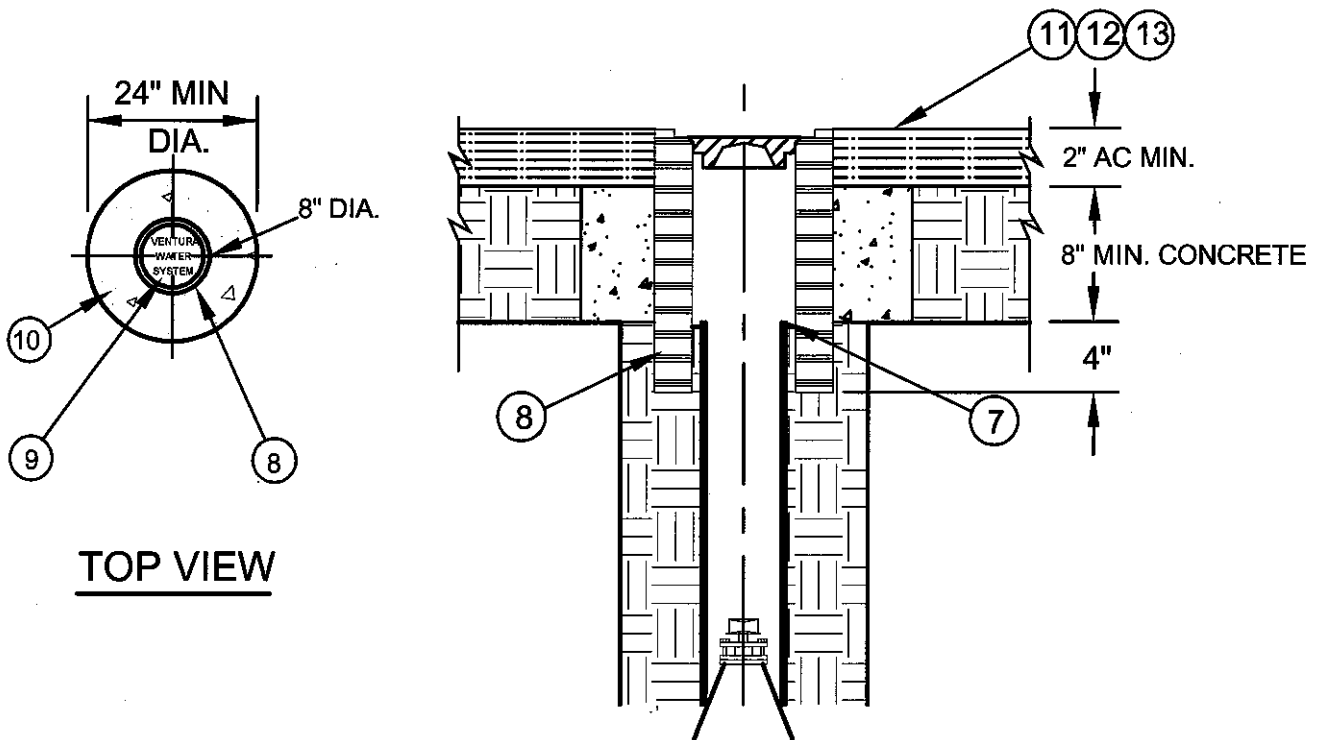
004

APPROVED BY: *[Signature]*  
WATER GENERAL MANAGER

APPROVED BY: *[Signature]*  
CITY ENGINEER R.C.E. 37064

DATE 7-21-16

SHEET  
1 of 2



TOP VIEW

DETAIL FOR RAISING VALVE STACKS

LEGEND

- ⑦ PLANE OF TRIMMING CUT SHALL BE PARALLEL TO FINISH GRADE OR PAVEMENT AND TRIMMED TO BE A MINIMUM OF 4" INSIDE BOX.
- ⑧ VALVE BOX AND CAP TO BE INSTALLED BEFORE PAVING. (CHRISTY G-3 VALVE BOX AND CAP) RAISED TO GRADE AFTER PAVING UNLESS OTHERWISE APPROVED BY THE CITY ENGINEER.
- ⑨ COAT EDGE WITH GREASE SO CONCRETE WILL NOT STICK.
- ⑩ AC OVER CONCRETE OR CONCRETE PER SHEET 1 OF 2.
- ⑪ FOR VALVE STACK EXTENSION - REMOVE EXISTING CONCRETE RING, CUT AND REINSTALL EXTENSION IN KIND TO FINISH GRADE. REPLACE ALL BOXES WITH CHRISTY G-3. IF EXISTING IS CHRISTY G-3, REUSE. CUT 6" BELOW FINISH GRADE. MINIMUM LENGTH OF EXTENSION TO BE 6". REPLACE CONCRETE RING. SEE STD. DETAIL 005.
- ⑫ FINISHED GRADE. 2" MINIMUM OF A.C. UNLESS IN CONCRETE PAVEMENT OR UNIMPROVED AREAS.
- ⑬ CLASS 560-C-3250 CONCRETE.

CITY OF SAN BUENAVENTURA

PUBLIC WORKS DEPARTMENT  
ENGINEERING DIVISION

VALVE BOX ASSEMBLY

STD. DET. NO.

004

APPROVED BY:   
WATER GENERAL MANAGER

APPROVED BY:   
CITY ENGINEER R.C.E. 37064

DATE 7-7-16

SHEET  
2 of 2