

* ENGINEER TO DETERMINE CONFIGURATION
 ◁ DIRECTION OF THRUST

CITY OF SAN BUENAVENTURA

PUBLIC WORKS DEPARTMENT
 ENGINEERING DIVISION

THRUST BLOCKING

STD. DET. NO.

006

APPROVED BY:

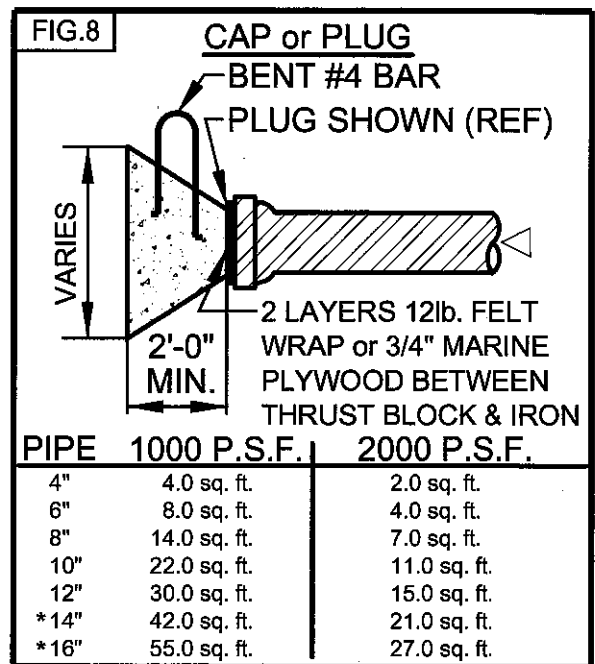
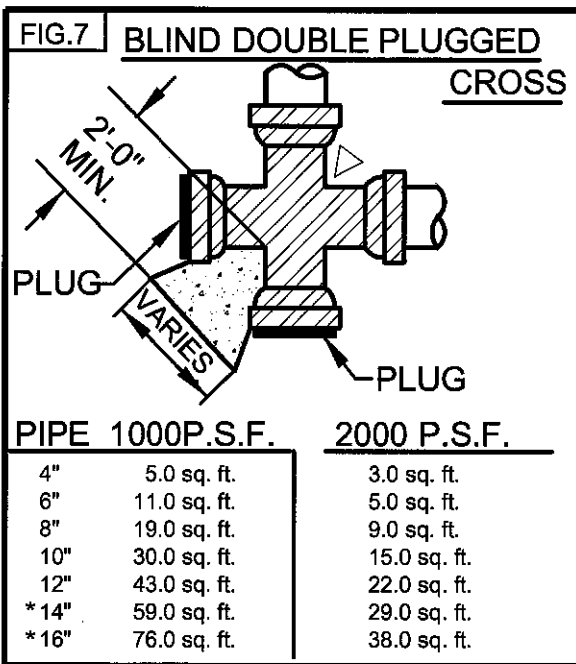
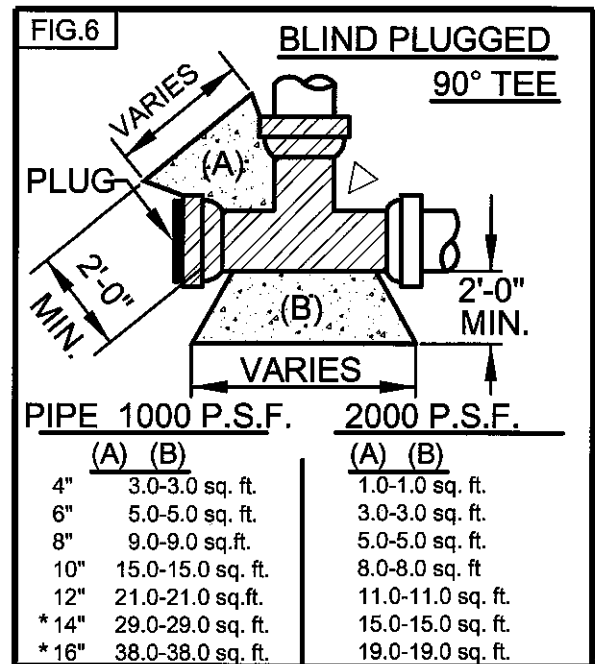
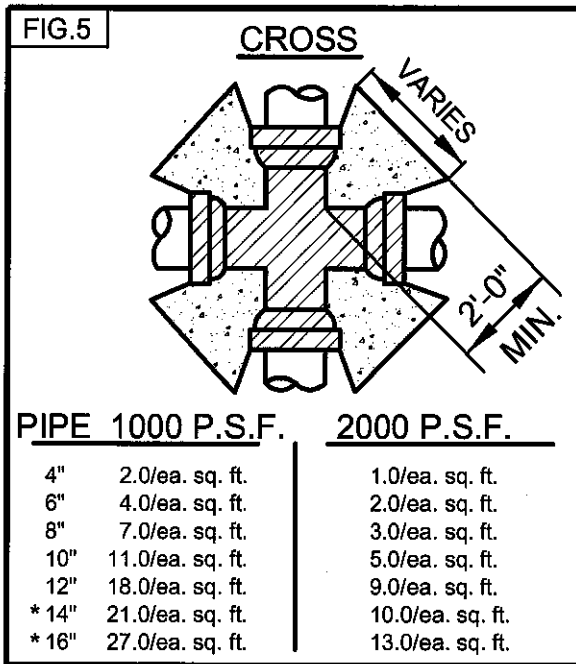
[Signature]
 WATER GENERAL MANAGER

APPROVED BY:

[Signature]
 CITY ENGINEER R.C.E. 37064

DATE 7-7-16

SHEET
 1 of 4



* ENGINEER TO DETERMINE CONFIGURATION
 ◁ DIRECTION OF THRUST

CITY OF SAN BUENAVENTURA

PUBLIC WORKS DEPARTMENT
 ENGINEERING DIVISION

THRUST BLOCKING

STD. DET. NO.

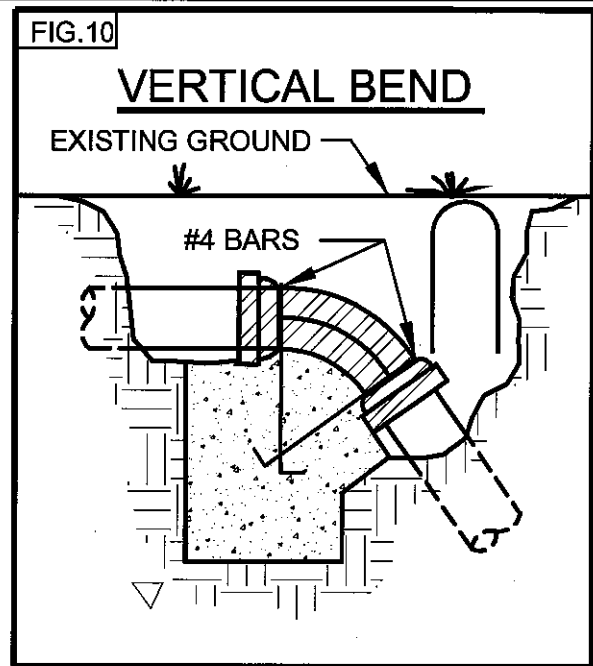
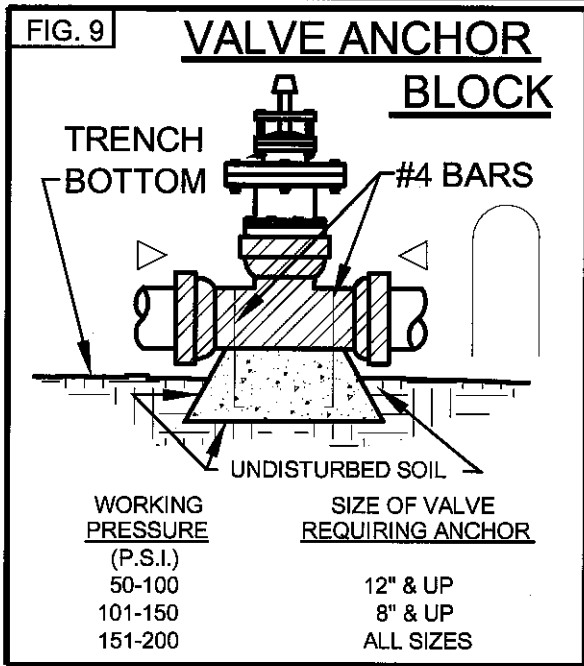
006

APPROVED BY: *[Signature]*
 WATER GENERAL MANAGER

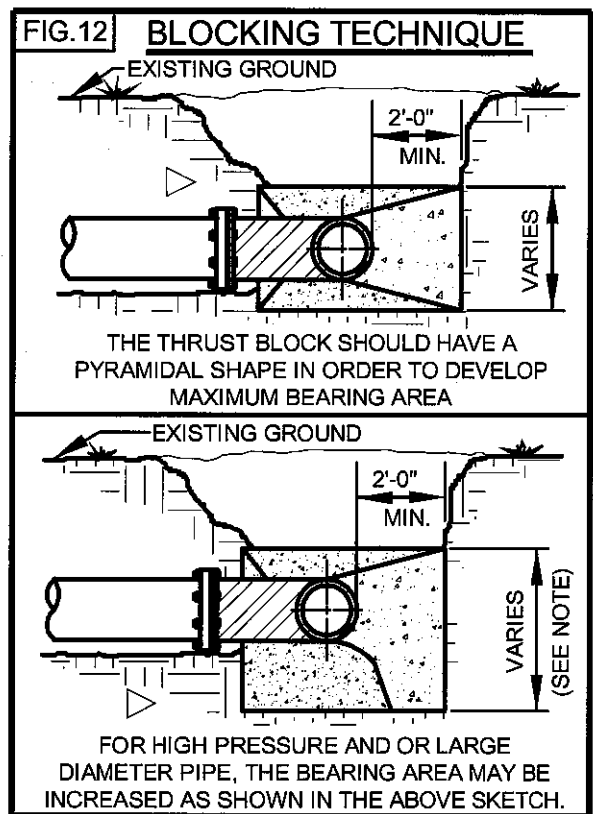
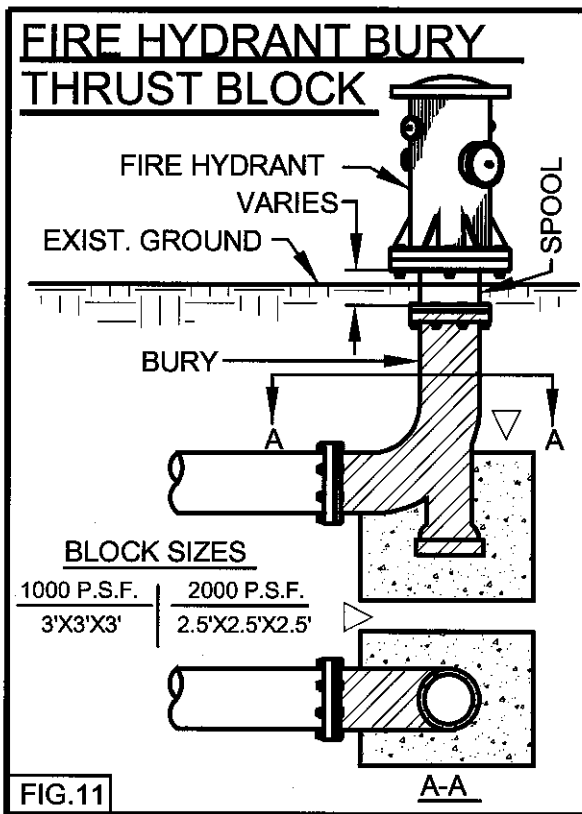
APPROVED BY: *[Signature]*
 CITY ENGINEER R.C.E. 37064

DATE 7-7-16

SHEET
 2 of 4



NOTE: SHAPE AND DIMENSION OF FIGS. 9 & 10 ANCHOR BLOCKS TO BE DETERMINED BY THE ENGINEER



◁ DIRECTION OF THRUST

CITY OF SAN BUENAVENTURA

PUBLIC WORKS DEPARTMENT
ENGINEERING DIVISION

THRUST BLOCKING

STD. DET. NO.

006

APPROVED BY: *[Signature]*
WATER GENERAL MANAGER

APPROVED BY: *[Signature]*
CITY ENGINEER R.C.E. 37064

DATE **7-7-16**

SHEET
3 of 4

GENERAL NOTES

1. SEE CITY STANDARD DETAIL 001 - GENERAL WATER NOTES.
2. BEARING AREAS INDICATED ARE DESIGNED FOR
 - (A) 1000 P.S.F. (EXISTING SOFT CLAY)
 - (B) 2000 P.S.F. (EXISTING SAND)
3. BEARING AREAS MAY BE INCREASED AT THE OPTION OF THE CITY, IF SOIL BEARING PRESSURE IS LESS THAN 1000 P.S.F.
4. APPROVAL OF COMPACTED BACKFILL MAY BE REQUIRED BY THE CITY TO IMPROVE THRUST BLOCK BEARING AREA TO A LEVEL EQUAL TO THIS STANDARD.
5. ALL BOLTED JOINTS OR EXPOSED METAL SHALL BE COATED PRIOR TO POURING OF THRUST BLOCKS. SEE GENERAL NOTE #5 (STD. DETAIL 001) FOR COATINGS. NOTE: ALL NUTS AND BOLTS SHALL BE INSTALLED IN A MANNER THAT WILL ALLOW THEIR REMOVAL WHEN NECESSARY.
6. UNLESS OTHERWISE NOTED, THRUST BLOCK BEARING FACES SHALL BE POURED AGAINST UNDISTURBED SOIL OR APPROVED COMPACTED BACKFILL.
7. THE THRUST BLOCK IS TO BE CAST IN SUCH A MANNER TO CRADLE THE PIPE FITTING. CONCRETE PLACEMENT SHALL BE PERPENDICULAR TO THE LINE OF THRUST, BUT NOT EXCEEDING 50% OF THE PIPE OR FITTING CIRCUMFERENCE. THE CONCRETE CLASS SHALL BE PER THE GREENBOOK.

CITY OF SAN BUENAVENTURA

PUBLIC WORKS DEPARTMENT
ENGINEERING DIVISION

THRUST BLOCKING

STD. DET. NO.

006

APPROVED BY: 
WATER GENERAL MANAGER

APPROVED BY: 
CITY ENGINEER R.C.E. 37064

DATE 7-7-16

SHEET
4 of 4