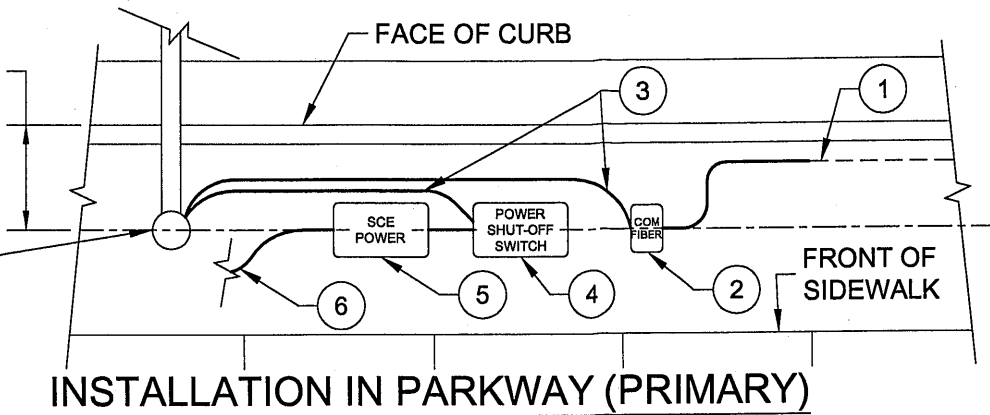
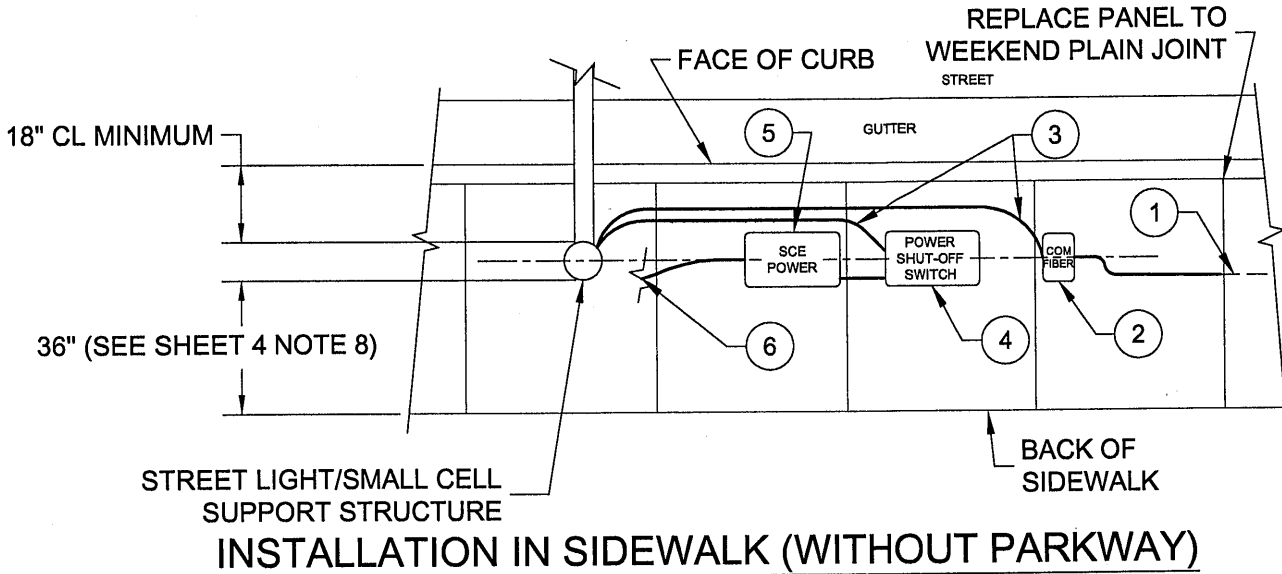


MAINTAIN SETBACK
OF (E) POLE UNLESS
APPROVED BY CITY
ENGINEER

STREET
LIGHT/SMALL
CELL SUPPORT
STRUCTURE



INSTALLATION IN PARKWAY (PRIMARY)



INSTALLATION IN SIDEWALK (WITHOUT PARKWAY)

CONSTRUCTION NOTES

- ①. INSTALL COMMUNICATIONS CONDUIT PER CITY STANDARD CONSTRUCTION DETAIL NO. 405. SEPARATE ENCROACHMENT PERMIT REQUIRED.
- ②. INSTALL COMMUNICATIONS PULL-BOX SIZED PER UTILITY COMPANY STANDARDS.
- ③. INSTALL CONDUIT PER UTILITY COMPANY STANDARDS
- ④. INSTALL PULL-BOX WITH SWITCH AND BREAKER LOCATED NO MORE THAN 20-FT FROM BASE OF UTILITY POLE. BOX LID SHALL BE MARKED "CELL SITE POWER SHUT OFF SWITCH". BOX SIZE DETERMINED BY EQUIPMENT REQUIREMENTS.
- ⑤. INSTALL PULL-BOX PER SCE REQUIREMENTS.
- ⑥. SCE POWER CONDUIT IF POWER SOURCE IS SUPPLIED FROM ADJACENT POLE OR OTHER CIRCUIT. POWER FOR SMALL CELL EQUIPMENT AND LIGHT FIXTURE SHALL BE FUSED. NO METERED ELECTRICAL SERVICES.

CITY OF SAN BUENAVENTURA

PUBLIC WORKS DEPARTMENT
ENGINEERING DIVISION

SMALL CELL SUPPORT STRUCTURE

STD. DET. NO.

414

APPROVED BY:

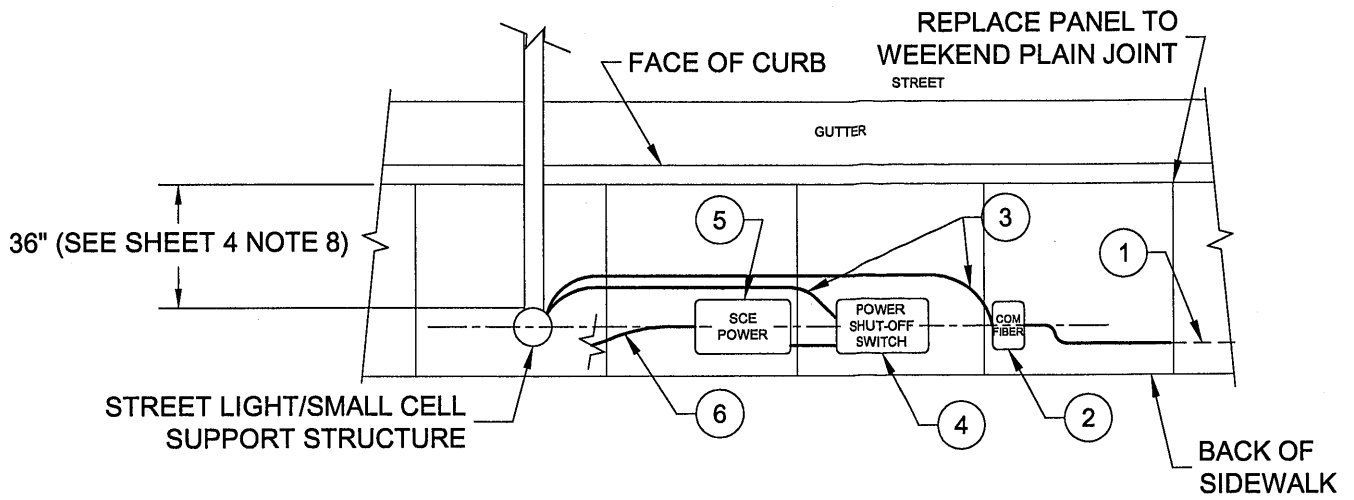
LAND DEVELOPMENT ENGINEER R.C.E. 65992

APPROVED BY:

CITY ENGINEER R.C.E. 59294

DATE 1/9/19

SHEET
1 of 4



INSTALLATION IN NARROW SIDEWALK (WITHOUT PARKWAY)

CONSTRUCTION NOTES

- ①. INSTALL COMMUNICATIONS CONDUIT PER CITY STANDARD CONSTRUCTION DETAIL NO. 405. SEPARATE ENCROACHMENT PERMIT REQUIRED.
- ②. INSTALL COMMUNICATIONS PULL-BOX SIZED PER UTILITY COMPANY STANDARDS.
- ③. INSTALL CONDUIT PER UTILITY COMPANY STANDARDS
- ④. INSTALL PULL-BOX WITH SWITCH AND BREAKER LOCATED NO MORE THAN 20-FT FROM BASE OF UTILITY POLE. BOX LID SHALL BE MARKED "CELL SITE POWER SHUT OFF SWITCH". BOX SIZE DETERMINED BY EQUIPMENT REQUIREMENTS.
- ⑤. INSTALL PULL-BOX PER SCE REQUIREMENTS.
- ⑥. SCE POWER CONDUIT IF POWER SOURCE IS SUPPLIED FROM ADJACENT POLE OR OTHER CIRCUIT. POWER FOR SMALL CELL EQUIPMENT AND LIGHT FIXTURE SHALL BE FUSED. NO METERED ELECTRICAL SERVICES.

CITY OF SAN BUENAVENTURA

PUBLIC WORKS DEPARTMENT
ENGINEERING DIVISION

SMALL CELL SUPPORT STRUCTURE

STD. DET. NO.

414

APPROVED BY:

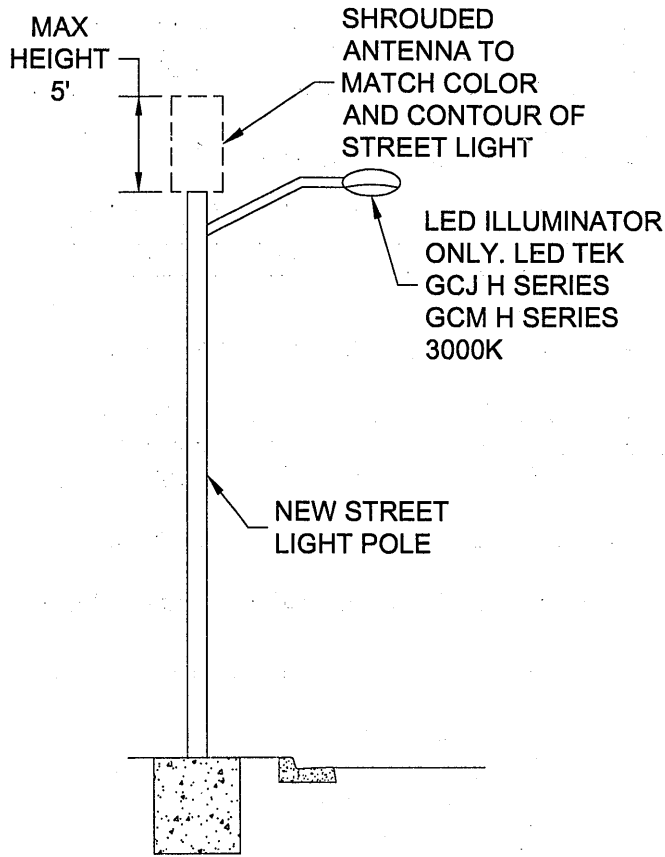
LAND DEVELOPMENT ENGINEER R.C.E. 65992

APPROVED BY:

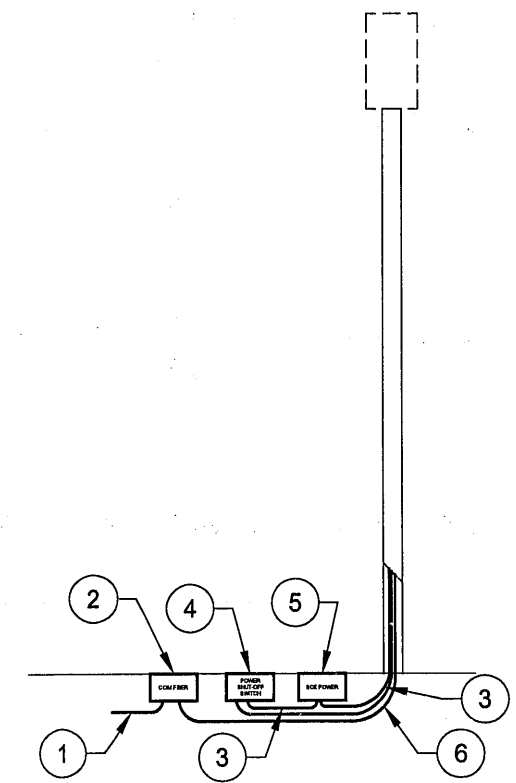
CITY ENGINEER R.C.E. 59294

DATE 1/9/19

SHEET
2 of 4



ELEVATION



STREET SIDE VIEW

CONSTRUCTION NOTES

- ①. INSTALL COMMUNICATIONS CONDUIT PER CITY STANDARD CONSTRUCTION DETAIL NO. 405. SEPARATE ENCROACHMENT PERMIT REQUIRED.
- ②. INSTALL COMMUNICATIONS PULL-BOX SIZED PER UTILITY COMPANY STANDARDS.
- ③. INSTALL CONDUIT PER UTILITY COMPANY STANDARDS
- ④. INSTALL PULL-BOX WITH SWITCH AND BREAKER LOCATED NO MORE THAN 20-FT FROM BASE OF UTILITY POLE. BOX LID SHALL BE MARKED "CELL SITE POWER SHUT OFF SWITCH". BOX SIZE DETERMINED BY EQUIPMENT REQUIREMENTS.
- ⑤. INSTALL PULL-BOX PER SCE REQUIREMENTS.
- ⑥. SCE POWER CONDUIT IF POWER SOURCE IS SUPPLIED FROM ADJACENT POLE OR OTHER CIRCUIT. POWER FOR SMALL CELL EQUIPMENT AND LIGHT FIXTURE SHALL BE FUSED. NO METERED ELECTRICAL SERVICES.

CITY OF SAN BUENAVENTURA

PUBLIC WORKS DEPARTMENT
ENGINEERING DIVISION

SMALL CELL SUPPORT STRUCTURE

STD. DET. NO.
414

APPROVED BY:  LAND DEVELOPMENT ENGINEER R.C.E. 65982

APPROVED BY:  CITY ENGINEER R.C.E. 59294

DATE 1/9/19

SHEET
3 of 4

GENERAL NOTES

1. UTILITY BOX SIZE AND MATERIAL SHALL BE PER COMPANY STANDARDS. UTILITY BOXES ARE TO BE LOCATED IN THE PARKWAY OR SIDEWALK, REPLACE FULL WIDTH OF SIDEWALK TO NEAREST WEAKENED-PLANE JOINT, EXPANSION JOINT OR SAWCUT CONSTRUCTION JOINT. PER CITY STANDARD CONSTRUCTION DETAIL NO. 102.
2. EXISTING STREET LIGHT POLE MAY BE UTILIZED IF IT MEETS STRUCTURAL REQUIREMENTS TO SUPPORT NEW AND EXISTING EQUIPMENT. IF EXISTING POLE IS REPLACED, A NEW POLE SHALL BE INSTALLED IN THE ORIGINAL LOCATION.
3. ENCLOSURE CONTAINING RADIO EQUIPMENT SHALL BE CYLINDRICAL AND BLEND IN WITH POLE ONLY ONE VISIBLE ANTENNA SHALL BE PERMITTED.
4. ALL CONSTRUCTION SHALL COMPLY WITH REQUIREMENTS OF THE CITY OF VENTURA ZONING CODES.
5. PULL-BOXS TO BE INSTALLED IN LINE WITH POLE AND BE LOCATED IN SIDEWALK OR PARKWAY (WHERE APPLICABLE). ALL CONDUIT SHALL BE INSTALLED IN PARKWAY (WHERE APPLICABLE) OR SIDEWALK. NO VAULTS SHALL BE ALLOWED.
6. PULL-BOX SHALL BE NO MORE THAN 20-FT FROM THE BASE OF THE SIGHT UTILITY POLE. BOX LID SHALL BE ENGRAVED WITH TEXT HEIGHT NO SMALLER THAN 3/4-IN CONTAINING THE FOLLOWING TEXT: "CELL POWER SHUT-OFF SWITCH" AND HAVE THE SIGHT OWNER NAME, SIGHT ID, SIGHT ADDRESS AND EMERGENCY CONTACT PHONE NUMBER.
7. PAINT ANTENNA(S) / EQUIPMENT TO MATCH POLE.
8. THE CLEAR PATH OF TRAVEL MAY BE REDUCED TO 32 INCHES MINIMUM FOR A LENGTH OF 24 INCHES MAXIMUM PROVIDED THAT REDUCED WIDTH SEGMENTS ARE SEPARATED BY SEGMENTS THAT ARE 48 INCHES LONG MINIMUM AND 48 INCHES WIDE MINIMUM. {DIB 82-06 4.3.3(3)}

GIS NOTES:

DIGITAL SUBMITTAL REQUIREMENTS FOR DATA TO BE USED BY THE CITY'S GEOGRAPHICAL INFORMATION SYSTEM (GIS) IN PREPARING EXHIBITS, MAPS, ETC.:

1. PROVIDE POLE LOCATION DATA IN A SHAPEFILE (.SHP) FORMAT AS A POINT.
2. NAMING CONVENTION FOR FILES. USE UNDERSCORES IN THE FILE NAME, NO SPACES OR HYPHENS. DO NOT EXCEED 10 CHARACTERS.
SINGLE POLE LOCATION: SITEID (EX: 123ABC)
MULTIPLE POLE LOCATION: COMPANYNAMEYY (EX: VENTURA18)
3. DEFINE COORDINATE SYSTEM OF SHAPEFILE AS NAD 1983 STATE PLANE, CALIFORNIA ZONE 5 (US FEET)

CITY OF SAN BUENAVENTURA

PUBLIC WORKS DEPARTMENT
ENGINEERING DIVISION

SMALL CELL SUPPORT STRUCTURE

STD. DET. NO.

414

APPROVED BY: _____

LAND DEVELOPMENT ENGINEER R.C.E. 85992

APPROVED BY: _____

CITY ENGINEER R.C.E. 59254

DATE 1/9/19

SHEET
4 of 4